

M-Tech[®] Alignment Shims

Special designs and industry standard formats in high quality

Martin orientates its design to conform with industry standards. These are the so-called „**Standard**“ **Alignment Shims**.

On the other hand, we also innovate new variants called „**Non-standard**“ **Alignment Shims**. These shims are essentially characterized by their multi-layer material structure, which means very good handling and especially precise. In some cases, they are also significantly lighter.

Advantages and options

- ✓ **Attractive price-performance for refillable packages, cases and custom-made products**
- ✓ **Small, practical cases with mostly required shim dimensions**
- ✓ **M-Tech[®]V edge-welded alignment shims**
- ✓ **M-Tech[®]L laminated alignment plates**
- ✓ **Pre-cut shims in stainless steel, aluminum, plastic and brass**
- ✓ **Branding and special editions according to customer's requirements**
- ✓ **Grinded assortments**
- ✓ **Contours according to customer's specifications are also available**

**Parts according to customer's drawing are also available:
In various materials - from 5 micrometers to 15 mm**

designed,
engineered &
made in Germany

AS9100:D (EN 9100)
ISO 9001
ISO 14001



Georg Martin GmbH
Martinstrasse 55
63128 Dietzenbach
Germany

Standard shim kit

- M-Tech[®]S Solid alignment shims in stainless steel
- Thicknesses from 0.025 to 2.0 mm
- 5 variations in 380, 400, 420, 570 and 780 pieces
- Standard equipment but also individual cases or equipment requests for bulk buyers



Non-standard shim kit „Light“

- M-Tech[®]V Edge-welded alignment shims in stainless steel
- M-Tech[®]L HP5 Laminated alignment shims in PET (manually peelable)
- M-Tech[®]S Solid alignment shims in stainless steel and POM
- 2 variations in 120 pieces

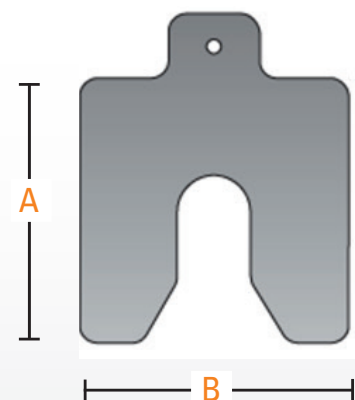


Refill packages

- Mono material 10-piece-packages of alignment shims in different types, sizes and thicknesses
- All thicknesses from 0.025 to 3.0 mm in practical packaging
- Standard: Alignment shims in stainless steel
- Non-standard: Alignment shims in stainless steel, aluminium (high-strength), PET and POM



Length A x Width B [mm]	Choice of thicknesses [mm]
50 x 50	0,025 0,050
75 x 75	0,100 0,200 0,250
100 x 100	0,400 0,500 0,700
125 x 125	1,000 2,000
200 x 200	3,000

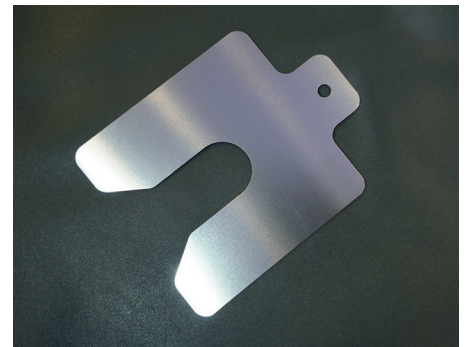


Georg Martin GmbH
Martinstrasse 55
63128 Dietzenbach
Germany

Standard variation

M-Tech[®]S Solid shims in stainless steel AISI 304

- from 0,025 to 3,0 mm
- High resistance to compression
- Good chemical resistance



Non-Standard variations

M-Tech[®]V Edge-welded shims

- Stainless steel AISI 304
- 20x 0,05 mm NIRO plus 4x 0,025 mm
- Most flexible, precise version with maximum strength
- Easily separable by hand
- Foils stay flat and are reusable



M-Tech[®]L HP5 Laminated shims

- PET
- 20x 0,05 mm PET plus 1x 0,025 mm
- Lightest and cheapest option
- High flexibility in application
- Removable by hand
- Foils stay flat and are reusable
- High chemical and mechanical resistance



M-Tech[®]L HP1 High Precision laminated shims

- Stainless steel AISI 304
- 20x 0,05 mm + 1x 0,025 mm
- Easily peelable with M-Tech[®] Peeling file
- Good pressure resistance
- Complement to AISI 304 standard alignment shims



Georg Martin GmbH
Martinstrasse 55
63128 Dietzenbach
Germany

M-Tech[®]L HP3 High Precision laminated shims

- 20x 0,050 mm Aluminium alloy + 1x 0,025 mm Brass
- Easy peeled-off layer by layer
- Good pressure resistance
- Flexible and lightweight
- Hardness comparable to conventional laminated steel shims
- 2.9 times lighter than stainless steel
- Easily peelable with M-Tech[®] Peeling File
- Complement to solid shims
- High mechanical resistance



M-Tech[®]S Solid alignment shims

- Aluminium AlMg3.0
- 1x 1,0 mm
- Complement to M-Tech[®]L HP3 High precision laminated shims
- Good mechanical resistance
- 3 times lighter than stainless steel



M-Tech[®]S Solid alignment shims

- POM
- 1x 1,0 mm
- Complement to M-Tech[®]L Laminated shims PET
- Good mechanical resistance
- Light, electrically non-conducting



designed,
engineered &
made in Germany

AS9100:D (EN 9100)
ISO 9001
ISO 14001

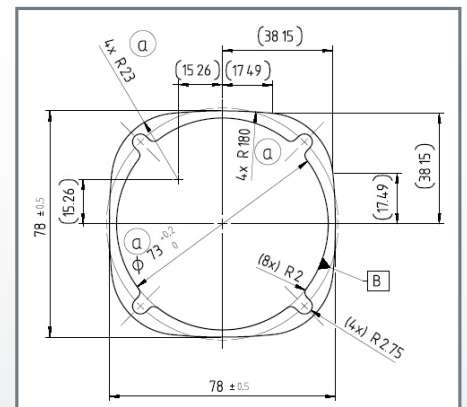


Georg Martin GmbH
Martinstrasse 55
63128 Dietzenbach
Germany

Parts according to drawings
and further product range:
www.passscheiben.info

We would be pleased to give a personal and
individual advice:
Tel. +496074 - 409934 or vertrieb@georg-martin.de

Scan here for e-brochure:



www.shim.tv